

ОФЕРТА U20845/10.02.2022.,

ОТ: Континуум Индустириални Решения ООД

Относно: “ Доставка на радиационно устойчива PTZ камера”.

Основание: ПОКАНА ЗА ПАЗАРНА КОНСУЛТАЦИЯ № 48292

Лице за контакт: Христо Пачев, Тел. 0973 7 6140,

№	Обозначение	К-во /Бр./	Ед.Цена /лв/	Цена /лв/
1	Камерна глава PTZ 620	1	103 200,00	103 200,00
2	Управление PIS 200	1	83 104,00	83 104,00
	Кабел T30-10TK 30м	1	11 340,00	11 340,00
3	Рез.светлини	2	1 120,00	2 240,00
	Обща цена		199 884,00	

Обща стойност на предложението 199 884лв (Сто деведесет и девет хиляди осемсто осемдесет и четири)лева без ДДС

1. Условие на доставка DDP АЕЦ Козлодуй
2. Срок на доставка до 10-12 седмици.
3. Условие за плащане до 30 календарни дни след след приемане на доставката.
4. Наш адрес: Бул. Руски 16, 4000 Пловдив, България
5. ЕИК № 203749537, ИН по ДДС BG203749537
6. 0888 330 643 / info@conins.net, Желко Топич
7. Валидност на офертата 60 дни
9. Гаранционен срок – 12 месеца от дата на доставка; срок за отстраняване на дефекти: 15 дни
10. Документи, придружаващи стоката: Декларация за съответствие; Декларация за потекло, Наръчник

Пловдив 10.02.2022.

Изготвил, За Континуум Индустириални решения ООД:

Желко Топич



PTZ620

HD PTZ CAMERA WITH MIRROR

The PTZ620 is a unique small-sized pan-and-tilt color camera. With its high resolution and radiation tolerance, it is perfect for inspection in narrow areas like pipes and upper and lower internals, such as BWR jet pumps.

APPLICATIONS

- Mounts on a range of manipulator and underwater tool systems, or can be dropped down hanging by its cable
- Close-up inspection in high-radiation areas
- Ideal for use in areas with limited space such as the belt-line area and inside nozzles and pipes
- Fits in the flow holes of a PWR reactor and can perform inspections underneath the core plate

BENEFITS

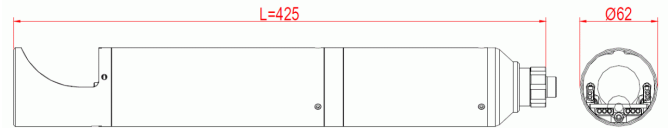
- High radiation tolerance
- Small diameter
- Mirror tilt function enabling it to look either straight or 90 degrees +-20 degrees
- 12 high powered LED lights
- Available in SD/HD video versions

SPECIFICATIONS

Diameter	62 mm (2,44")
Length	425 mm (16,7")
Weight	7,5 kg (16,5 lbs)
Housing material	Stainless steel EN1.4301/EN 1.4436, AISI 304/AISI 316, anodized aluminum
Radiation tolerance (dose rate)	up to 500 Gy/h (50 000 rad/h)
Radiation tolerance (total dose)	3 500 Gy (350 000 rad)
Maximum temperature	50°C (122°F)
Water tightness	min 3,5 bar (50 psi)
Zoom	x10 optical x10 digital giving x100
Minimum distance to object	5 mm (0,20")
SD horizontal angle of view	35° (wide end), 5° (tele end)
HD horizontal angle of view	50°(wide end) to 5°(tele end)
Resolution SD version	720 TV-lines
Resolution HD version	720p
Lights	12 ea high power internal LED 2 lighting channels 300 lumen per channel
Pan angle	360°
Mirror tilt angle	0-55° (making 110°)

We reserve the right to alter specifications without prior notice

PTZ620 IMAGES



We reserve the right to alter specifications without prior notice



PIS200

PORTABLE INSPECTION STATION

The PIS200 is a Portable Inspection Station for use with inspection cameras and lighting. Fitted in a rolling suitcase the PIS200 is a flexible monitoring system that is equipped with control panels, DVR and a large HD-screen.

APPLICATIONS

- Portable control unit
- Controls most Ahlberg HD, SD and monochrome tube cameras with pan-and-tilt units and lights

BENEFITS

- Large, 22" HD screen
- No calibrations required when changing camera or camera cable
- Built-in control panel and keyboard
- The case is equipped with wheels and an adjustable handle
- Secondary remote control R100 with cable can be connected to the unit

SPECIFICATIONS

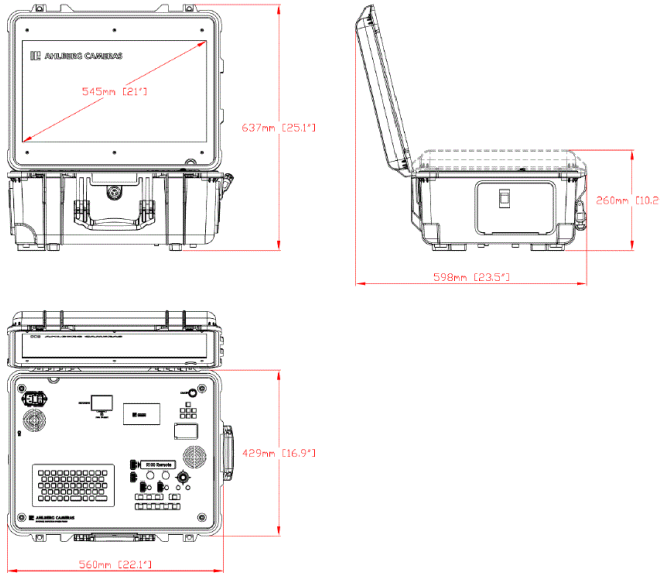
Dimensions (L*W*H)	483x435x133 mm (19"x17"x5,2")
Housing material	Polypropylene
Weight	20,3 kg (44 lbs)
Ingress protection	IP42
Operating temperature	0°C to 45°C
Power supply	90-260VAC / 47-63 Hz / max 800W
Lighting support	2 channels
Video outputs	S-video, Composite, SD/HDcomponent, DVI-D and SDI
Recording	H.264 SD memory card recording
Video overlay (option)	Free text, date, time, zoom, focus distance, pan and tilt values on screen display

We reserve the right to alter specifications without prior notice

PIS200 IMAGES



We reserve the right to alter specifications without prior notice



We reserve the right to alter specifications without prior notice



CAMERA CABLE T30

HD CAMERA CABLE

The T30 camera cable is a robust triple-coax camera cable designed for HD cameras. It is a strong and flexible cable specially designed with Kevlar braid for supporting the camera hanging solely by its cable.

APPLICATIONS

- Cable for underwater use or in air together with Ahlberg HD cameras

BENEFITS

- Equipped with a reterminable connector for use in air and a moulded connector for underwater use
- Specially designed with Kevlar braid for supporting the camera hanging solely by its cable.

SPECIFICATIONS

Number of conductors	27 + 3 coaxial
Diameter	10 mm (0,39")
Outer sheath	PUR, frosted
Color	Black
Minimum bend radius, fixed installation	70 mm (2,76")
Minimum bend radius, flexible installation	200 mm (7,87")
Temperature rating	-40°C to +80°C (-40°F to +176°F)
Weight	0,17 kg/m
Water tightness	3,5 bar (35 m)
Ingress protection	IP68 (underwater part)
Tensile strength	4 000 N
Radiation tolerance (total dose)	2 000 000 Gy (200 000 000 rad)

We reserve the right to alter specifications without prior notice

CAMERA CABLE T30 IMAGES



We reserve the right to alter specifications without prior notice