

До: АЕЦ Козлодуй ЕАД

На вниманието на: Цветелина Анг. Йотова - Експерт „Маркетинг“

тел.:

e-mail: cyotova@npp.bg , Оферта на : commercial@npp.bg

Оферта на база получено от Вас запитване

ОБЕКТ: „Доставка на вентилатори тип LANW 1000,6 и LANW 630,4“ - пазарна консултация № 51365

№	наименование	к-во	ед. цена	общо
1	Аксиален вентилатор за хоризонтален монтаж с AL перка L=38000m ³ /h ; H=100Pa Nel=3,0kW ; 400V ; 50Hz ; IE3 ; 6P - 970rpm Клас на защита на електромотора IP55 Диаметър на вентилатора Ø1000 НСН-100-6Т-4/AL IE3, Sodeca	2	4 050.00	8 100.00
2	Аксиален вентилатор за хоризонтален монтаж с AL перка L=16000m ³ /h ; H=100Pa Nel=1,5kW ; 400V ; 50Hz ; IE3 ; 4P - 1451rpm Клас на защита на електромотора IP55 Диаметър на вентилатора Ø630 НСН-63-4Т-2/AL IE3, Sodeca	2	1 790.00	3 580.00

Общо, цена в лева без ДДС 11 680.00

20% ДДС 2 336.00

Общо, лева с ДДС 14 016.00

Забележки:

Посочените цени са ДАР гр. Козлодуй

Доставка до 6-8 седмици

Гаранция 24 месеца

Валидност на офертата 30 дни

Изготвил:

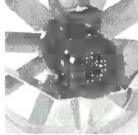
Радослав Бакърджиев

20 юни 2023 г.

HCH-100-6T-4/AL IE3

Very robust wall mounted axial fans

Wall mounted axial fans. PL version fitted with a plastic impeller and AL version with an aluminium impeller.



Fan:

- Airflow direction from motor to impeller.
- PL version impellers in fibreglass reinforced polyamide-6 and AL version in cast aluminium. Models 40-2T only in AL version.
- Support ring in sheet steel.

Motor:

- Motors with IE3 efficiency for powers equal to or greater than 0.75 kW, except single-phase, 2-speed and 8-pole.
- Class F motors with ball bearings. IP55 protection. Except single-phase models from size 45 to size 56, with IP54 protection. 1 or 2 speeds depending on model.
- Single-phase 230 V 50 Hz and three-phase 230/400 V 50 Hz (up to 4 kW) and 400/690 V 50 Hz (powers greater than 4 kW).
- Working temperature: -25 °C +50 °C.

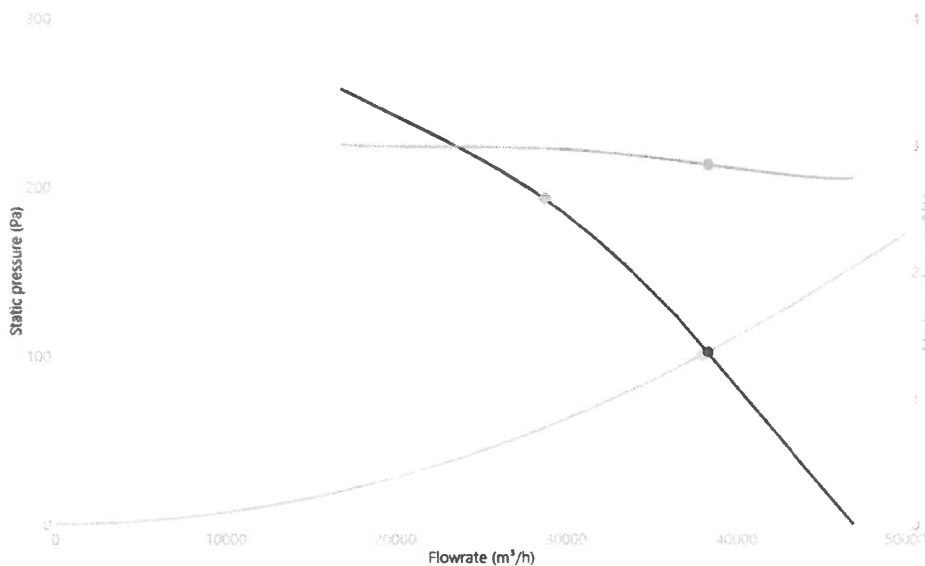
Finish:

- Anti-corrosive finish in polyester resin, polymerised at 190 °C, after degreasing with phosphate-free nanotechnology treatment.

On request:

- Airflow direction from impeller to motor.
- 100% reversible impellers.
- Special windings for different voltages.
- ATEX certified Category 2.

CHARACTERISTIC CURVE AND ACOUSTICS AT 1.2KG/M³



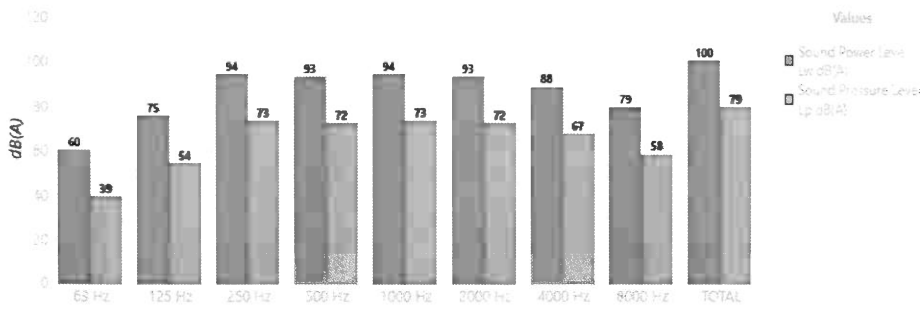
Design Point

Q (m ³ /h)	38000
Ps (Pa)	100

Service Point (SP)

Q (m ³ /h)	38388
Ps (Pa)	102.1
Pd (Pa)	110.7
Pt (Pa)	212.8
Impeller (rpm)	970
Max. Temp. (°C)	50
Outlet air speed (m/s)	13.58
Mechanical efficiency (Pt) (%)	79.91
SFP (kW/m ³ /s)	0.3096
Mechanical power (kW)	2.839

Acoustics: Radiated, 3 (m), Free field



Band	Lw dB(A)	Lp dB(A)
63 Hz	60	39
125 Hz	75	54
250 Hz	94	73
500 Hz	93	72
1000 Hz	94	73
2000 Hz	93	72
4000 Hz	88	67
8000 Hz	79	58
TOTAL	100	79

TECHNICAL CHARACTERISTICS

Airflow maximum (m ³ /h)	46960
Speed (rpm)	970
Maximum static pressure (Pa)	258.5
Maximum total pressure (Pa)	279.6

ERP

Efficiency	44.7%
Efficiency grade N	47.6
Measurement category	C
Efficiency category	Static
Specific ratio	1.00
Flowrate (m ³ /h)	28766

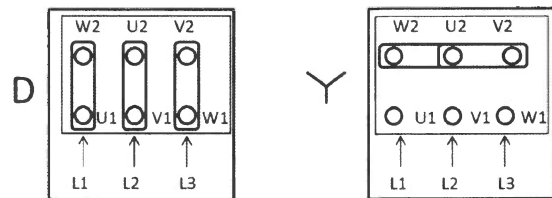
Pressure (Pa)	193
Input power (kW)	3.451
Speed (rpm)	970
Variable speed drive	VSD not necessary
ErP compliance	2015

♦ Data established at point of optimum efficiency

MOTOR DATA

Rated Mechanical Power (kW)	3
Hz/phases	50/3
Motor (rpm)	970
Poles	6P
Max. current (A) 380-415 V Y	6.91
Max. current (A) 220-240 V D	12
Motor protection	IP55
Motor frame size	132M

Data can change, please check motor plate

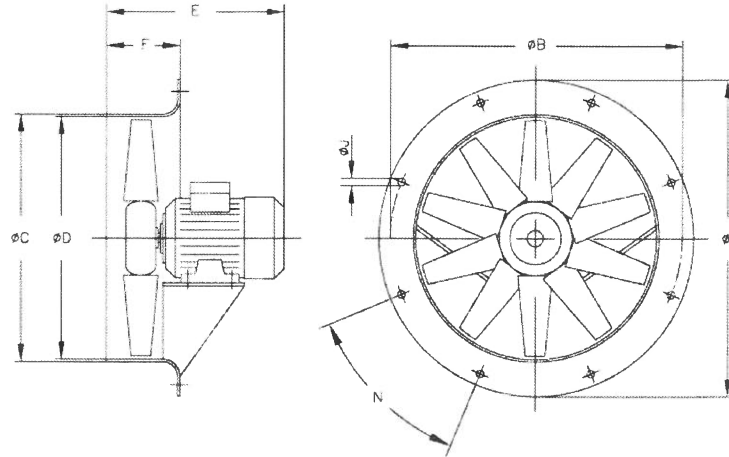


DIMENSIONS

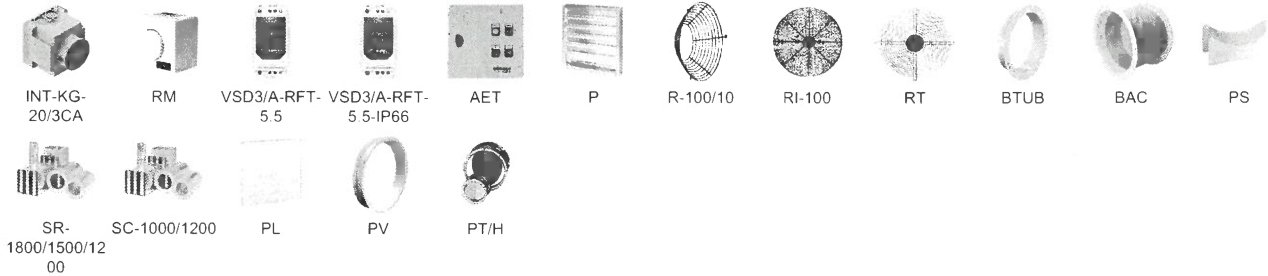
ØA	ØB	ØC	ØD	E	F	ØJ	N
1115	1070	1006	1000	518	200	15	16x22°30'

Dimensions without explicitly defined units are shown in millimeters (mm). Dimensions depending on the motor are approximate

Approx. weight (kg)	96
---------------------	----



AVAILABLE ACCESSORIES



It must be checked that the accessory is suitable for the fan model

HCH-63-4T-2/AL IE3

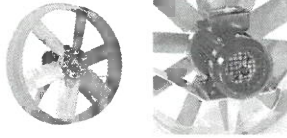
Very robust wall mounted axial fans

Wall mounted axial fans. PL version fitted with a plastic impeller and AL version with an aluminium impeller.



Fan:

- Airflow direction from motor to impeller.
- PL version impellers in fibreglass reinforced polyamide-6 and AL version in cast aluminium. Models 40-2T only in AL version.
- Support ring in sheet steel.



Motor:

- Motors with IE3 efficiency for powers equal to or greater than 0.75 kW, except single-phase, 2-speed and 8-pole.
- Class F motors with ball bearings. IP55 protection. Except single-phase models from size 45 to size 56, with IP54 protection. 1 or 2 speeds depending on model.
- Single-phase 230 V 50 Hz and three-phase 230/400 V 50 Hz (up to 4 kW) and 400/690 V 50 Hz (powers greater than 4 kW).
- Working temperature: -25 °C +50 °C.

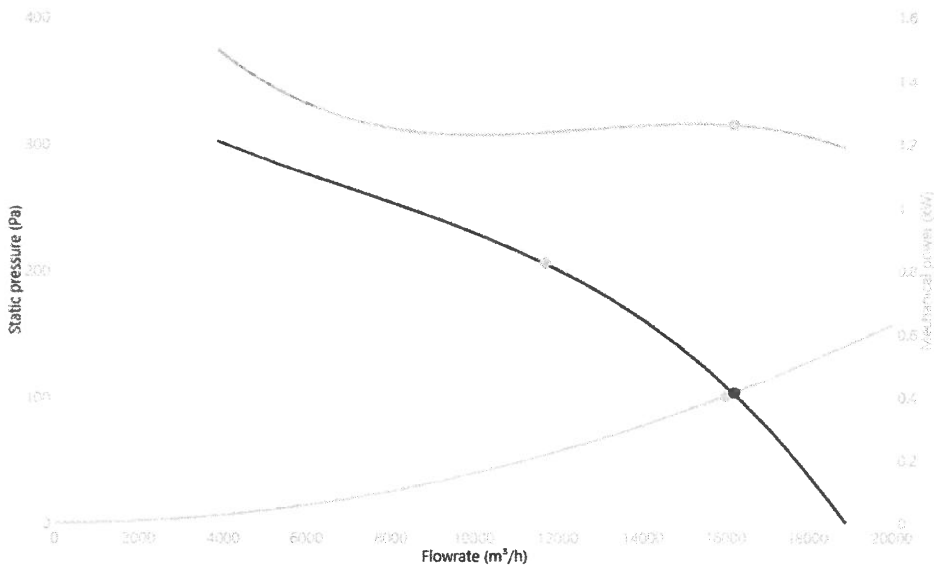
Finish:

- Anti-corrosive finish in polyester resin, polymerised at 190 °C, after degreasing with phosphate-free nanotechnology treatment.

On request:

- Airflow direction from impeller to motor.
- 100% reversible impellers.
- Special windings for different voltages.
- ATEX certified Category 2.

CHARACTERISTIC CURVE AND ACOUSTICS AT 1.2KG/M³



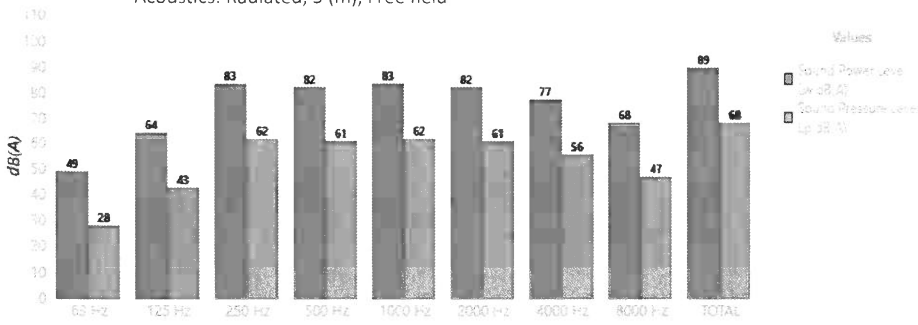
Design Point

Q (m ³ /h)	16000
Ps (Pa)	100

Service Point (SP)

Q (m ³ /h)	16196
Ps (Pa)	102.5
Pd (Pa)	117.1
Pt (Pa)	219.6
Impeller (rpm)	1440
Max. Temp. (°C)	50
Outlet air speed (m/s)	13.97
Mechanical efficiency (Pt) (%)	78.62
SFP (kW/m ³ /s)	0.321
Mechanical power (kW)	1.257

Acoustics: Radiated, 3 (m), Free field



Band	Lw dB(A)	Lp dB(A)
63 Hz	49	28
125 Hz	64	43
250 Hz	83	62
500 Hz	82	61
1000 Hz	83	62
2000 Hz	82	61
4000 Hz	77	56
8000 Hz	68	47
TOTAL	89	68

TECHNICAL CHARACTERISTICS

Airflow maximum (m³/h)	18910
Speed (rpm)	1440
Maximum static pressure (Pa)	302.2
Maximum total pressure (Pa)	308.8

ERP

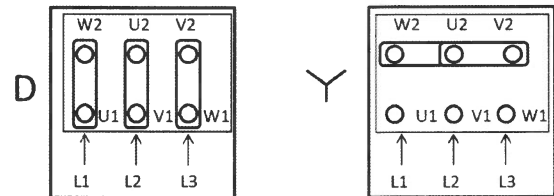
Efficiency	47.0%
Efficiency grade N	52.4
Measurement category	C
Efficiency category	Static
Specific ratio	1.00
Flowrate (m³/h)	11688

Pressure (Pa)	205
Input power (kW)	1.418
Speed (rpm)	1451
Variable speed drive	VSD not necessary
ErP compliance	2015

* Data established at point of optimum efficiency

MOTOR DATA

Rated Mechanical Power (kW)	1.5
Hz/phases	50/3
Motor (rpm)	1440
Poles	4P
Max. current (A) 380-415 V Y	3.11
Max. current (A) 220-240 V D	5.41
Motor protection	IP55
Motor frame size	90



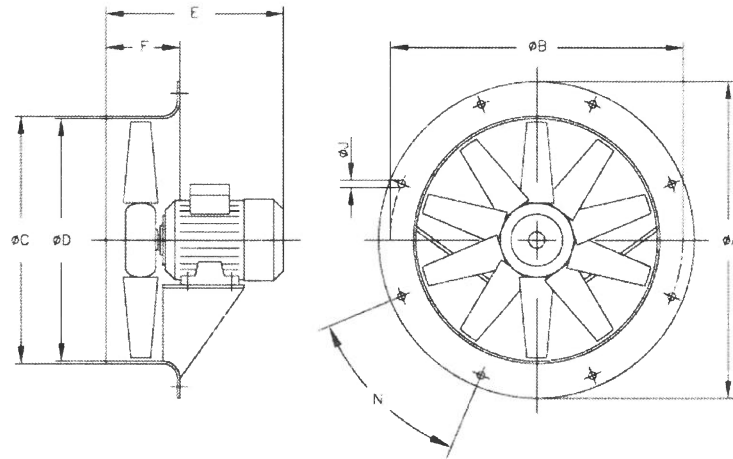
Data can change, please check motor plate

DIMENSIONS

ØA	ØB	ØC	ØD	E	F	ØJ	N
730	690	645	640	360	150	12	12x30°

Dimensions without explicitly defined units are shown in millimeters (mm). Dimensions depending on the motor are approximate

Approx. weight (kg)	41
---------------------	----



AVAILABLE ACCESSORIES



INT-KG-20/3CA



RM



VSD3/A-RFT-2



VSD1/A-RFM-2



VSD3/A-RFT-2-IP66



VSD1/A-RFM-2-IP66



AET



P



R-63-1.5



RI-63



RT



BTUB



BAC



PS



SR-1000/900/900



SC-630/900



PL



PV



PT/H

It must be checked that the accessory is suitable for the fan model